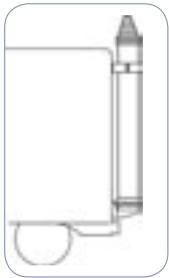
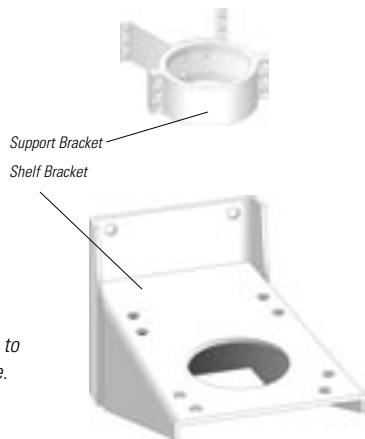


MAST MOUNTING HARDWARE



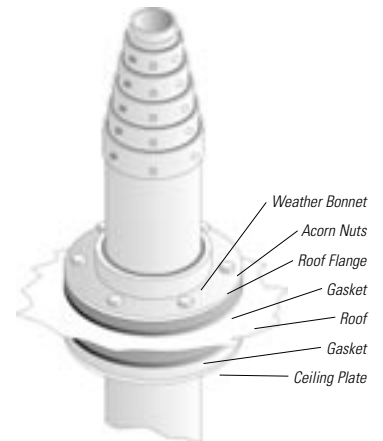
External Mounting

External mounting hardware for mounting to the outside of a vehicle.



Internal Mounting

Internal mounting hardware for mounting through the vehicle's roof.



For Years of Low Maintenance Mast Life & Trouble-Free Service, Specify the LUKON 24 Mast Finish

Will-Burt's LUKON 24 Mast Finish is a highly technical, process of hard anodizing aluminum surfaces and applying a permanent Teflon® lubricant. Telescoping masts with this lubricated, abrasion-resistant finish will provide improved service in all weather conditions and will have extended life expectancy. This process has been tested worldwide under all environmental conditions including pneumatic masts in military applications.