

# Indoor Omni-directional Antenna Ceiling Mount

IXD-360V03N0-2

VPol, 806-960/1710-2500, 360°, 4dBi



## Technical Specifications

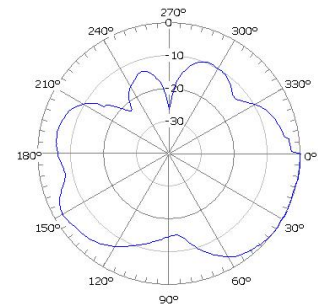
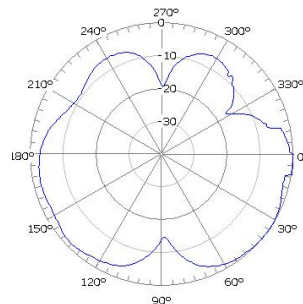
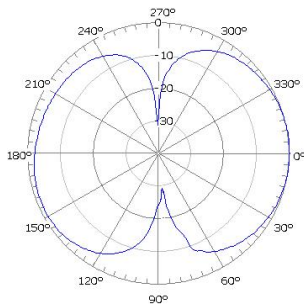
Electrical			
Frequency Range	MHz	806-960	1710-2500
Polarization		Vertical	
Gain	dBi	2.0	4.0
Horizontal Beamwidth	deg	360	
Vertical Beamwidth	deg	180	
VSWR		≤ 1.5:1	≤ 1.45:1
Power Handling	W	≤ 50	
Impedance	Ω	50	



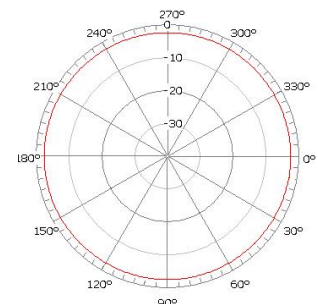
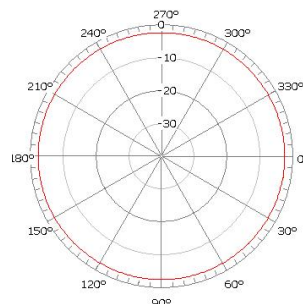
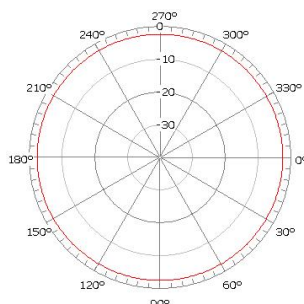
Mechanical		
Dimensions, HxDia	mm (in)	204x84 (8.0x3.3)
Weight	kg (lb)	0.5 (1.1)
Radome Material and Color		ABS, Light Grey, RAL7035
Mount		Ceiling
Reflector Material		Aluminum
Radiating Element Material		Brass
Connector Type		N-Female
Environmental Class		Indoor
Shipping Dimensions, HxWxD	mm (in)	210x210x130 (8.3x8.3x5.1)
Shipping Weight	kg (lb)	0.6 (1.3)

## Antenna Pattern

Vertical pattern



Horizontal pattern



830MHz

1950MHz

2500MHz